

TGA Signal Relay

TGA 706-0027

- **Flexible Signal switching up to 0.5A / 220V AC**
- **Plug in module for TGA Architecture¹**
- **Available as TGA or VXI message based module²**
- **Normally open and normally closed contacts accessible**
- **On board selftest circuitry³**
- **Ideal for utility signal switching in any test system**

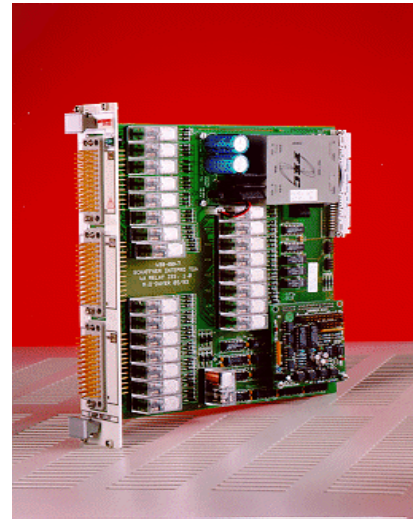
The TGA signal relay module is designed for high density cost effective utility switching in an automatic test system.

There are 24 double pole double throw (DPDT) relays on each module. The relays provide a convenient method of switching test signals within the ATE system. Unlike the TGA 4A power relay or the TGA 15A power relay module the relays on the TGA Signal relay module are designed for reliable switching of low level signal voltages in the device under test (DUT) fixture.

Typical application of this module include switching signal voltages around the DUT. In some applications it may be possible to physically locate the TGA Signal relay module(s) within the user test fixture. This may be required in a scenario where signals within a control loop need to be switched for example.

Locating the module within the DUT fixture will minimize the wiring to the signal test points. An extension cable from the TGA rack can be connected through to the DUT fixture so that the signal relay module still appears to be part of the TGA rack (from a software point of view).

Both the normally OPEN and the normally CLOSED contact of each relay are available at the user connectors on the front of the module. If sufficient consideration is given to selecting the right type and number of free relays in a system the users DUT fixturing can usually be reduced to contain simple wiring only.



The module is fully supported by the POWERSUITE and POWERSTAR software platforms supplied by Intepro.

The module is designed for simple plug in insertion into a TGA backplane system (low cost) or into any standard VXI backplane.

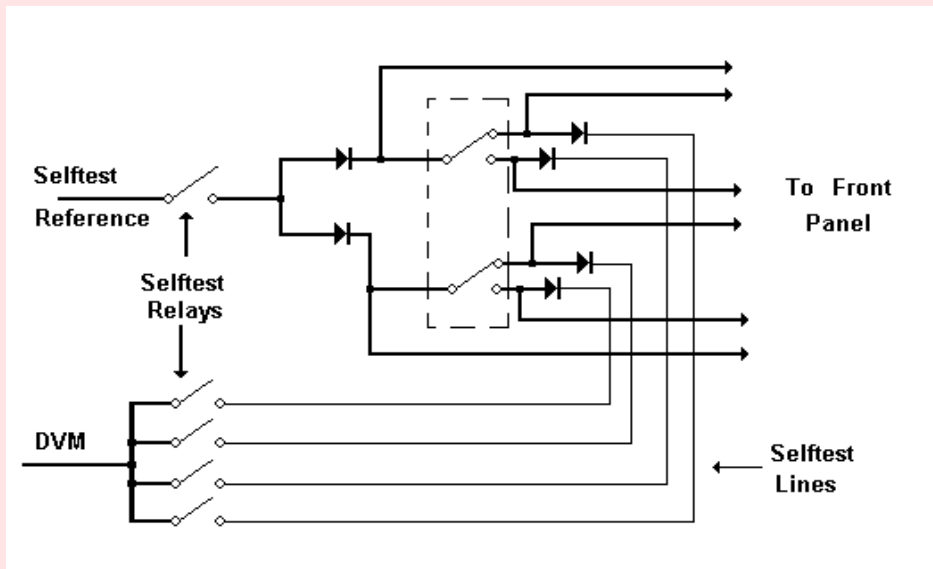
The user interface to the module is via three 50 way Positronic bulk connectors (GMT50F000Y0). This facilitates swift connection and disconnection in an ATE system.

The TGA signal relay card is ideal for cost effect, reliable, high density, utility signal switching.

This module , used in conjunction with the TGA power relay modules should allow ALL of the users utility switching requirements to be dealt with within the ATE system cabinets.

Technical Specifications

Relay Form :	Double Pole Double Throw (DPDT)	Size :	233mm x 220mm x 45mm TGA module (H x D x W) C Size, Double Slot VXI module
Maximum Voltage :	220V AC 220V DC	User connections :	Three 50 way Positronic Connectors GMCT50F000Y0 (Pin inserts FS116N2)
Maximum current :	1A	Operating Temp :	0°C to 55°C
Contact resistance :	50mΩ Max	Storage Temp :	0°C to 70°C
Operate time :	5mS Max	Humidity :	10% to 85% Relative
Release time :	3mS Max		



Each module has 24 relays of form type indicated above

Ordering information

706-0027 TGA 15A Signal Relay Module

Options

¹ see separate data sheet on TGA backplane ² Requires TGA/VXI adapter module ³ Selftest software available as a separate option



Intepro Systems
1530 S. Lyon Street
Santa Ana, CA 92705
+1.714.679.9749
+1.714.835.3441 (Fax)

EU/Ireland
Intepro Systems
Lonsdale Road
National Technology Park
Limerick / Ireland
+353.61.33.22.33
+353.61.33.25.84 (Fax)

UK
Intepro Systems
Ashville Way
Molly Millar's Lane
Wokingham / UK
+44.118.977.0070
+44.118.979.2969 (Fax)