



Current Load module  
40A



## Intepro 9000 Series

### 40Amp/75Volt/400-Watt Load

- Remote sense Loads for accurate voltage measurement of the DUT
- Loads can be operated in parallel for power applications up to 2000 watts
- Programmable slew rate
- Load synchronisation capabilities

The 400-Watt DC Load is a variable electronic unit which is capable of sinking up to 40 amps.

Designed for use in an Intepro 9000 system, the 400W Load is 261mm(6U) high, approximately 390mm deep and fits into a 19-inch rack.

Each Load possesses local intelligence in the form of a microcontroller. This enables more efficient operation in constant voltage mode.



400 Watt DC Load

used to communicate with the host PC over an IEEE link. The Controller Module relays commands and information over the internal CAN bus to the Loads. Each Load in a rack system can be addressed individually, as each back plane PCB slot has a unique address.

The sense voltage from each Load can be daisy chained via RJ45 connectors and connected to a high speed Measurement Module which performs transient, peak, counting, timing, ripple and noise, DC, and AC tests on the DUT.

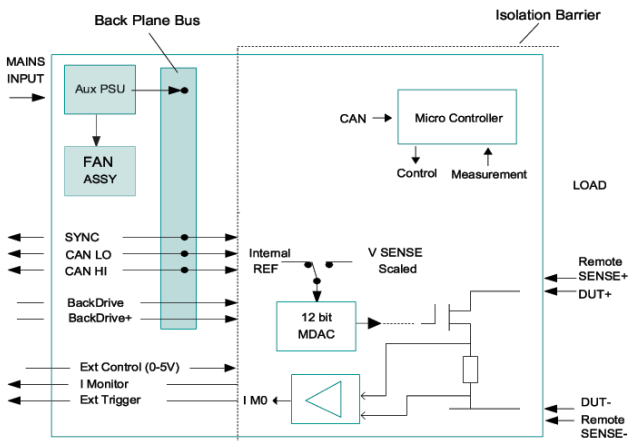


Figure 1: System Load Block Diagram

#### Features of the 400W DC Load include:

- High slew rate performance
- Analog to digital converter for measurement of voltage and current to 15-bit resolution
- 1kV isolation

#### System Implementation

In an Intepro 9000 System, the Loads are controlled via a Controller Module (20mm /4HP wide) that is

#### Constant I Mode

Range	Resolution	Accuracy
0-4A	1mA	±0.05%SET±4mA
0-40A	10mA	±0.05%SET±20mA

#### Constant V Mode

Range	Resolution	Accuracy
1-2V	0.5mV	±15mV
1-7.5V	2mV	±20mV
1-20V	5mV	±40mV
1-75V	20mV	±120mV

#### Constant P Mode

Range	Resolution	Accuracy
2mW-40W	2mW	2% FS
20mW-400W	20mW	2% FS