

Standard Scanner - E2010 Series

- HIGH SPEED, RELIABLE, SIGNAL SWITCHING PLUG-IN MODULE FOR E2010
- SELECTABLE SINGLE ENDED, DIFFERENTIAL AND FOUR WIRE MODE
- FUSE PROTECTION ON RELAY SCANNER BLOCKS
- IDEAL FOR DENSE TEST POINT SCANNING OR MATRIX REQUIREMENTS

The E2010 Standard Scanner module is designed for reliable, high speed switching of test measurement signals. This is available as an RE2010 module which is for a 6U high rack or as a 1U standalone Ethernet Instrument.

The E2010 Standard Scanner module is designed for reliable, high speed switching of test measurement signals.

It can be easily configured via on board headers for switching 80 single switches per module, 2-wire 40 differential channels per module, or 4-wire 20 channels per module, signal measurements.

The most common application of this module is scanning test signals from multiple points within a Device Under Test (DUT) through to a system measurement instrument such as a DVM. The 4-wire scanning mode can be used in situations where high accuracy measurements of low value resistors or inductors are required.

The module can also be used in reverse mode as a signal multiplexer. This covers situations where there is a requirement to switch a low frequency signal (less than 150kHz) through to a variety of points on a DUT under program control.

High quality test point scanning relays are used to ensure accurate and repeatable measurements within the voltage range specified.

The relays are protected by means of decoder logic and on-board fuses, and are arranged on the board in blocks of 10 relays. Logic decoders ensure that only one relay on any block can be closed at any time.

The outputs of each block are independently fused to ensure that if a short circuit path is created in any measurement loop, the relays and board tracks will not be destroyed.

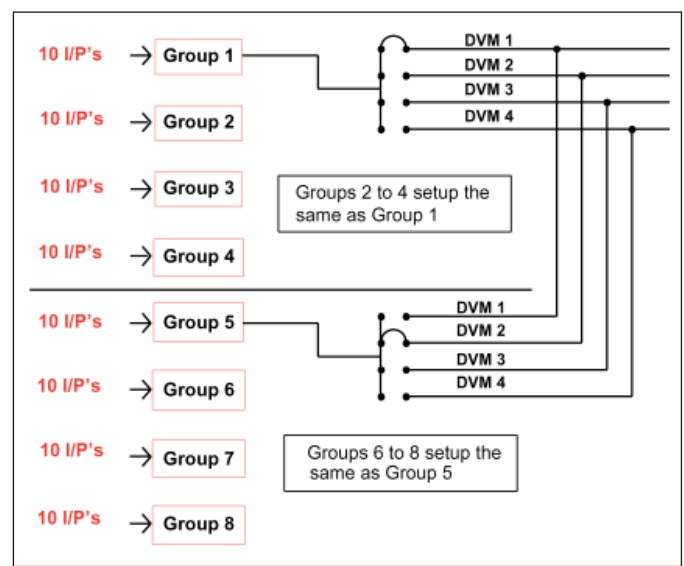
This can be critical in high power, high voltage test situations such as Power Supply testing or EMC testing.

The module is designed for simple plug in insertion into an E2010 backplane rack.



Standard Scanner Module

Connection to the module is via two 50 way D type connectors. The density of the E2010 Standard Scanner ensures that it is the most economical solution available for high speed ATE applications requiring multiple test points.



Module Configured in forty channel differential mode

Technical Specifications

Relay Form	Single Pole Single Throw
Maximum Voltage	150V DC
Maximum Current	100mA at Max Voltage
Contact Resistance	0.1Ω
Operate Time	1.2ms Max
Release Time	1ms Max
User Note Connection	
	Two male 50-way d type connector for user scanner input. One 9-way D type for output connection to DVM. The output is also present on the backplane connectors and may be routed this way if preferred.
MODULE CHARACTERISTICS	
Dimensions	233mm x 220mm x 45mm
Operating Temperature	5°C to 40°C
Storage Temperature	10% to 85% Relative
Bandwidth	150kHz
Humidity	5°C to 70°C
ORDERING INFORMATION	
Part Number	721-0003 (for a 6U Rack) 722-0003 (for a 1U Assembly)
Description	E2010 Standard Scanner

INTEPRO
SYSTEMS

www.InteproATE.com

INTEPRO SYSTEMS EU/IRELAND

1530 S. Lyon Street
Santa Ana, CA 92705
USA

Tel: +1.714.679.9749

Fax: +1.714.953.3150

EU/IRELAND

Intepro Systems
Lonsdale Road,
National Technology Park
Limerick / Ireland

Tel: +353.61.33.22.33

Fax: +353.61.33.25.84

UNITED KINGDOM

Intepro Systems
1 Lakeside Business Park
Swan Lane, Sandhurst
Berkshire GU47 9DN / UK

Tel/Fax: +44.1252.875.600

CHINA

No.2405, Block D
Shahe Century Holiday Plaza
Nanshan District
Shenzhen, China 518053

Tel: +86 755 86398564

Fax: +86 755 86398567