

Measurement Module - E2010 Series

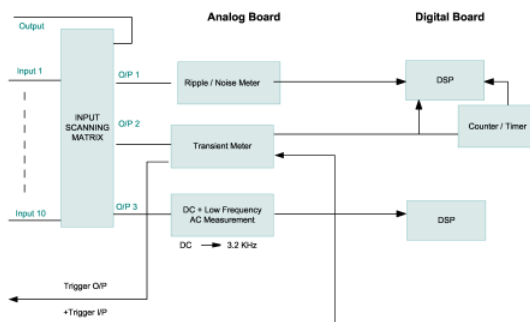
- FULFILLS ALL BASIC PSU MEASUREMENT REQUIREMENTS IN ONE MODULE
- COST EFFICIENT TEST AT HIGH SPEED WITH PARALLEL MEASUREMENT
- MULTI PURPOSE, MULTI CHANNEL INSTRUMENT
- AC/DC VOLTAGE, FREQUENCY, RIPPLE/NOISE AND INTERVAL TIMING MEASUREMENT

This module was specially designed to provide a high-speed, complete test solution for PSU systems. This high-performance component of the E2010 system combined with PowerStar 5 software, meets all industry standard power supply measurement requirements.

FEATURES

- DC and AC Voltage Measurement
- RMS and Peak to Peak Ripple Noise Measurement
- Frequency Measurement
- Programmable Input Thresholds on Timing Channels
- 10 Input Scanning Matrix
- GPIB Interface

Key to the Measurement Module's operation are the two powerful DSPs located on the Digital Board. Controlled by PowerStar 5 they provide the necessary processing power for today's high speed production test environment.



Measurement Module Block Diagram



Measurement Module

The Measurement Module is made up of the following functional blocks:

Ripple Noise

The ripple/noise meter measures RMS and peak to peak ripple/noise on the outputs of the UUT. It is possible to include or reject low frequency hum and to set the upper bandwidth of the measurement to exclude unwanted high frequency components.

Timer

Measures rise/fall times, inter-rail timing, programmable thresholds and slopes on two channels. There are 2 programmable analog channels and one TTL channel, each programmable channel can have two thresholds and slopes programmed.

DC and AC Voltage Measurement

Full auto ranging on all AC and DC inputs.

Technical Specifications

Frequency Measurement Ranges	30Hz to 750kHz, 30Hz to 150kHz (user selectable)
Programmable Threshold Range	±100V DC
DC Input Voltage Range	Accuracy
0-600mV	±0.05% of Range
0-2V	±0.03% of Range
0-6V	±0.02% of Range
0-20V	±0.02% of Range
0-60V	±0.02% of Range
0-100V	±0.02% of Range
DC Input Impedance	1MΩ
AC Input Voltage @ 50Hz	Accuracy
0-400mV rms	±0.1% of Range
0-1.4V rms	±0.1% of Range
0-4.2V rms	±0.1% of Range
0-14V rms	±0.1% of Range
0-42V rms	±0.1% of Range
0-70V rms	±0.1% of Range
Interval Timing	2 analog channels, 2 programmable thresholds and slopes per channel, 1 TTL channel
Bandwidth	1MHz
Measurement Range (Time)	5μs - 10s
Accuracy	±2μs
Threshold Accuracy	±1% of DC input voltage range
Ripple Noise	
Voltage Range Peak to Peak	50mV, 200mV, 500mV, 2V
Bandwidth	5kHz to 20MHz
Accuracy	±5% of range
Measurement Window	Programmable 1ms-200ms
Minimum Noise Measurement	10mV Pk-Pk, 3.5m Vrms
Operating Conditions	
Operating Temperature	5°C to 40°C
Storage Temperature	5°C to 70°C
Humidity	10% to 85% relative
Safety	Meets the safety guidelines laid down in the EN 61010-1 standard
Ordering Information	
Part Number	721-0001 (for a 6U Rack) 722-0002 (for a 1U Assembly)
Description	E2010 Measurement Module