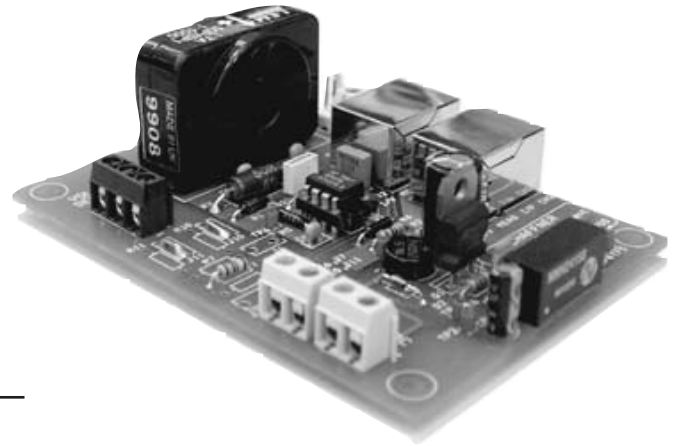


Intepro 9000 Series

Current Measurement Card

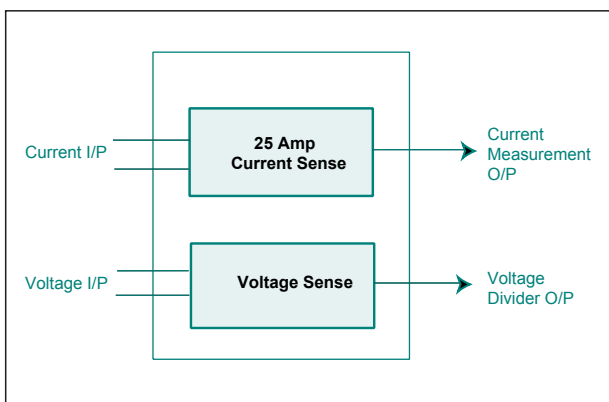
- Intepro 9000 System integrated Current Measurement Card
- Facilitates high accuracy DC Current measurement up to 50A
- Adjustable current and voltage ranges (Optional)
- Facilitates voltage measurements up to 500V



The Current Measurement Card is a highly accurate DC current measurement system designed to convert the current and voltages provided by system Power Supplies into voltages measurable by Intepro 9000 PSU Test Systems.

Key features of the Current Measurement Card include:

- An integrated Current Measurement channel, measuring up to 50A
- A voltage divider channel for dividing the input voltage to customer requirements
- Output is compatible with the Intepro 9000 Measurement Module



The Diagram above shows the basic structure of the Current Measurement card.

Current Measurement Card for Integrating into a Cabinet System

Specially designed by Intepro engineers, the Current Measurement Card allows more flexibility allowing higher currents and voltages to be measured by the Intepro 9000 system. Current and Voltage ranges can be adjusted to meet individual requests, while the card is also capable of yielding high accuracy for DC measurement.

The Current Measurement Card contains 2 separate electrically isolated input channels, a current channel and a voltage divider channel.

A LEM current transducer is used to convert the incoming current into voltage. 25A is standard, however the current rating may range from 5A to 50A.

The voltage divider channel can measure voltages as high as 500VDC. The default dividing ratio of 10:1 may be readjusted to meet any specific ratio requirements.

Withstanding overcurrents up to three times the current rating, the risk of the card burning out under faulty operating conditions is significantly reduced. If required, an additional Current and Voltage channel is available by integrating a second card into the system.

Technical Specifications

Rated Input Current	25A (standard)
Current Input Ranges	0-5A to 0-50A
OverCurrent Capability	3 x current rating
Bandwidth	50kHz
Input Voltage Range	0-500VDC
Communications Interface	N/A
Accuracy	* (See Note)
Current Measurement	I ≥ 20% of current rating: ±(0.2% of reading) I <20% of current rating: ±(0.04% of current rating)
Voltage Measurement	0.1% of voltage reading
Input Resistance of Voltage Measurement	150kΩ
Operating Conditions	
Operating Temperature	5°C to 55°C
Storage Temperature	-25°C to 70°C
Humidity	10% to 85% non condensing
Dimensions	100mm(L) x 73mm(W) x 40mm(H)
Ordering Information	
Description	Intepro 9000 Current Measurement Card
Part Number	713-1503

* When determining the accuracy of current and voltage measurements, please take into account the accuracy of the Measurement Module also.



Intepro Systems
1530 S. Lyon Street
Santa Ana, CA 92705
+1.714.679.9749
+1.714.835.3441 (Fax)

EU/Ireland
Intepro Systems
Lonsdale Road
National Technology Park
Limerick / Ireland
+353.61.33.22.33
+353.61.33.25.84 (Fax)

UK
Intepro Systems
Ashville Way
Molly Millar's Lane
Wokingham / UK
+44.118.977.0070
+44.118.979.2969 (Fax)