

TGA Controller Module

TGA 706-0004

- **Utility module to facilitate housekeeping functions in a POWERSTRESS burnin application**
- **Plug in module for TGA Architecture¹**
- **Manages Sub-Addressing, polling, Selftest etc...**
- **Records RTM and AC/DC switch trip time**
- **One Controller module required for every 16 RTM modules configured in a POWERSTRESS system**



The TGA Controller modules provide some general housekeeping control functions in a fully featured POWERSTRESS burnin system. Rather than putting various control functions on each RTM and AC/DC switch module, it was more economical to locate some of these control circuits on one centralised control module. In this way the cost of the control electronics is spread over several modules rather than repeating the cost on each RTM or AC/DC switch module.

Generally speaking the user does not interact with the Controller module, it is basically part of the rack system control electronics in a POWERSTRESS system.

The main functions of the controller module are as follows;

1. Reads the module address transmitted on the Micro 1000 bus and activates the relevant sub-address line on the TGA backplane.
2. Provides selftest reference signals and circuit paths to facilitate module selftest via the TGA backplane.
3. Provide the necessary polling control circuitry to manage the hardware polling of the RTM and AC/DC switch circuits to monitor trip events.

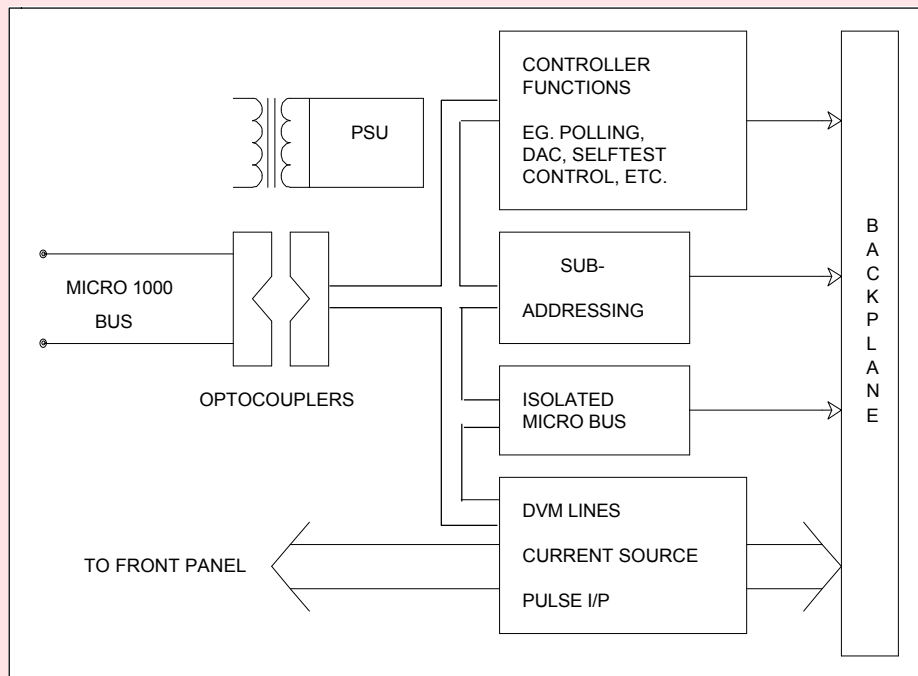
4. Provide the necessary RAM circuitry to store the time that a specific RTM or AC/DC switch trip event occurred.
5. Provide backplane access for system DVM lines, Selftest Current source input, Load Pulse I/P and Load OVP source input.

The Controller module is generally used in POWERSTRESS burnin applications that require RTM and AC/DC switch monitoring (sub-addressing mode) it is not generally used in ATE systems that control the TGA modules in Micro 1000 address mode.

The module is fully supported by POWERSCREEN and the POWERSUITE software platform.

Technical Specifications

Size :	233mm x 220mm x 45mm TGA module (H x D x W) C Size, Single Slot VXI module	Storage Temp :	0°C to 70°C
Selftest Reference :	+/- 10V (12 Bits)	Humidity :	10% to 85% Relative
Operating Temp :	0°C to 55°C		



Block diagram of Controller Module

Ordering information

706-0004 TGA Controller Module

Options

¹ see separate data sheet on TGA backplane



Intepro Systems
1530 S. Lyon Street
Santa Ana, CA 92705
+1.714.679.9749
+1.714.835.3441 (Fax)

EU/Ireland
Intepro Systems
Lonsdale Road
National Technology Park
Limerick / Ireland
+353.61.33.22.33
+353.61.33.25.84 (Fax)

UK
Intepro Systems
Ashville Way
Molly Millar's Lane
Wokingham / UK
+44.118.977.0070
+44.118.979.2969 (Fax)