

TGA 4 Amp Power Relay

TGA 706-0015

- **Flexible high power switching up to 4Amps/220V AC**
- **Plug in module for TGA Architecture¹**
- **Available as TGA or VXI message based module²**
- **Normally open and normally closed contacts accessible**
- **On board selftest circuitry³**
- **Ideal for utility power switching in any test system**

The TGA 4Amp power relay module is designed for high density cost effective utility switching in an automatic test system.

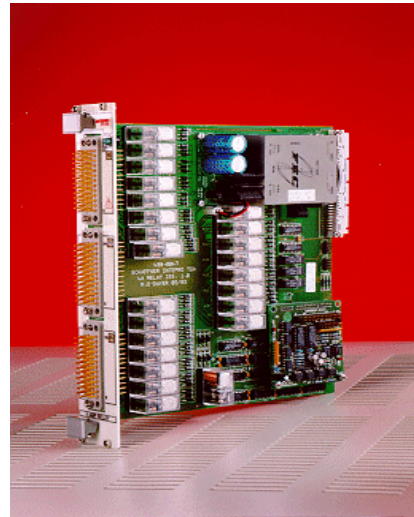
There are 24 double pole double throw (DPDT) relays on each module. The relays provide a convenient method of switching power signals within the test system. The fact that the on board relays are rated at 220V AC means that mains signals (less than 4A) can be switched in a test application without the need for fitting contactors in the device under test (DUT) fixture.

Typical application of this module include switching Power Resistors in binary selectable AC load. Turning on and off fans in the fixture and DUT. Short circuiting outputs.

Connecting DUT outputs in parallel under program control. Discharging large capacitors under program control, and so on.

Due to the high power switching capability of this module all of the switching circuits are enclosed in an EMI screen to minimize any interference with neighboring modules in the rack.

Both the normally OPEN and the normally CLOSED contact of each relay are available at the user connectors on the front of the module. If sufficient consideration is given to selecting the right type and number of free relays in a system the users DUT fixturing can usually be reduced to contain simple wiring only.



The module is fully supported by the POWERSUITE and POWERSTAR software platforms supplied by Intepro.

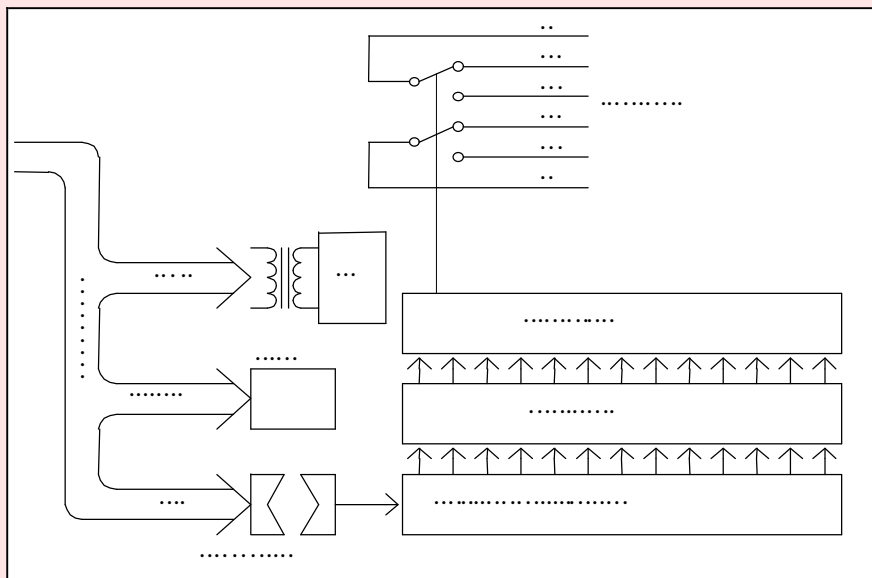
The module is designed for simple plug in insertion into a TGA backplane system (low cost) or into any standard VXI backplane.

The user interface to the module is via three 24 way Positronic bulk connectors (PLC24F0050) This facilitates swift connection and disconnection in an ATE system.

The TGA 4A power relay card is ideal for cost effect, reliable, high density, medium power switching.

Technical Specifications

Relay Form :	Double Pole Double Throw (DPDT)	Size :	233mm x 220mm x 45mm TGA module (H x D x W) C Size, Double Slot VXI module
Maximum Voltage :	250V AC 125V DC	User connections :	Three 24 way Positronic Connectors (PLC2F0050) (Pin inserts FS114N2)
Maximum current :	4 A @ 30V DC	Operating Temp :	0°C to 55°C
Contact resistance :	50m Ω Max	Storage Temp :	0°C to 70°C
Operate time :	15 mS Max	Humidity :	10% to 85% Relative
Release time :	10mS Max		



Each module has 24 relays of form type indicated above

Ordering information

706-0015 TGA 4A Power Relay Module

Options

¹ see separate data sheet on TGA backplane ² Requires TGA/VXI adapter module ³ Selftest software available as a separate option



Intepro Systems
1530 S. Lyon Street
Santa Ana, CA 92705
+1.714.679.9749
+1.714.835.3441 (Fax)

EU/Ireland
Intepro Systems
Lonsdale Road
National Technology Park
Limerick / Ireland
+353.61.33.22.33
+353.61.33.25.84 (Fax)

UK
Intepro Systems
Ashville Way
Molly Millar's Lane
Wokingham / UK
+44.118.977.0070
+44.118.979.2969 (Fax)