

15A Relay Module - E2010 Series

- FLEXIBLE HIGH POWER SWITCHING UP TO 15AMPS / 250V AC / 30V DC
- NORMALLY OPEN AND NORMALLY CLOSED
- IDEAL FOR UTILITY POWER SWITCHING IN ANY TEST SYSTEM

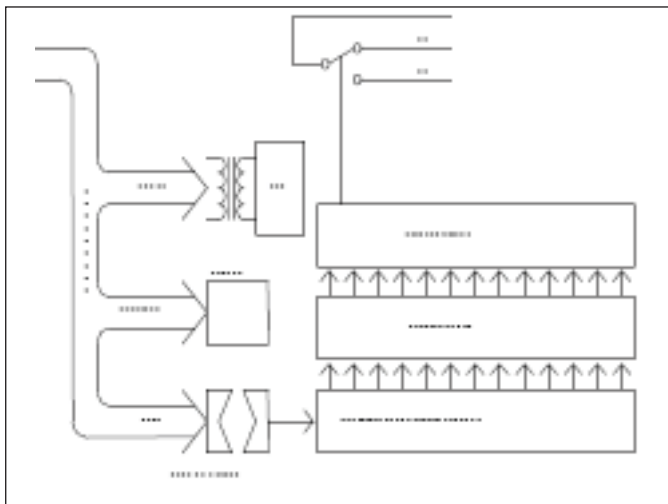
The E2010 15 Amp power relay module is designed for cost effective utility switching in an automatic test system. This is available as an RE2010 module which is for a 6U high rack or as a 1U standalone Ethernet Instrument.

There are 24 single pole double throw (SPDT) relays on each module. The relays provide a convenient method of switching power signals within the test system. The relays being rated at 250V AC means that mains signals (less than 15A) can be switched in a test application without the need for fitting contactors in the device under test (DUT) fixture.

Typical applications of this module include switching DUT input power ON and OFF. Turning on and off fans in the fixture and DUT. Short circuiting outputs. Connecting DUT outputs in parallel under program control. Discharging large capacitors under program control, and so on.

Due to the high power switching capability of this module all of the switching circuits are enclosed in an EMI screen to minimize any interference with neighbouring modules in the rack.

Both the normally OPEN and the normally CLOSED contact of each relay are available at the user connectors on the front of the module. If sufficient consideration is given to selecting the right type and number of free relays in a system the users DUT fixturing can usually be reduced to contain simple wiring only.



15A Relay Block Diagram



15A Relay Module

The module is fully supported by the POWERSTAR software platforms supplied by Intepro.

The module is designed for simple plug in insertion into an E2010 backplane system (low cost) or into any standard Ethernet 1U Instrument Rack.

The user interface to the module is via three 24 way Positronic bulk connectors (PLC24F0050). This Facilitates swift connection and disconnection in an ATE system.

The E2010 15A power relay card is ideal for cost effect, reliable, high density power switching.

Technical Specifications

Relay Form	Single Pole Double Throw (SPDT)
Maximum Voltage	250V AC /125V DC
User connections	Three 24 way Positronic Connectors (PLC2F0050) (Pin inserts FS114N2)
Maximum current	15 A @ 250V AC/30V DC
Contact resistance	50mOhms
Operate time	15 mS Max
Release time	10mS Max
Operating Conditions	
Operating Temperature	5°C to 40°C
Humidity	10% to 85% relative
Storage Temperature	25°C to 70°C
Dimensions	233mm x 220mm x 45mm
Ordering Information	
Part Number	721-0016 (for a 6U Rack) 722-0016 (for a 1U Assembly)
Description	E2010 15A Relay Module

INTEPRO
SYSTEMS

www.InteproATE.com

INTEPRO SYSTEMS

1530 S. Lyon Street
Santa Ana, CA 92705
USA

Tel: +1.714.679.9749

Fax: +1.714.953.3150

EU/IRELAND

Intepro Systems
Lonsdale Road,
National Technology Park
Limerick / Ireland

Tel: +353.61.33.22.33

Fax: +353.61.33.25.84

UNITED KINGDOM

Intepro Systems
1 Lakeside Business Park
Swan Lane, Sandhurst
Berkshire GU47 9DN / UK

Tel/Fax: +44.1252.875.600

CHINA

No.2405, Block D
Shahe Century Holiday Plaza
Nanshan District
Shenzhen, China 518053

Tel: +86 755 86398564

Fax: +86 755 86398567